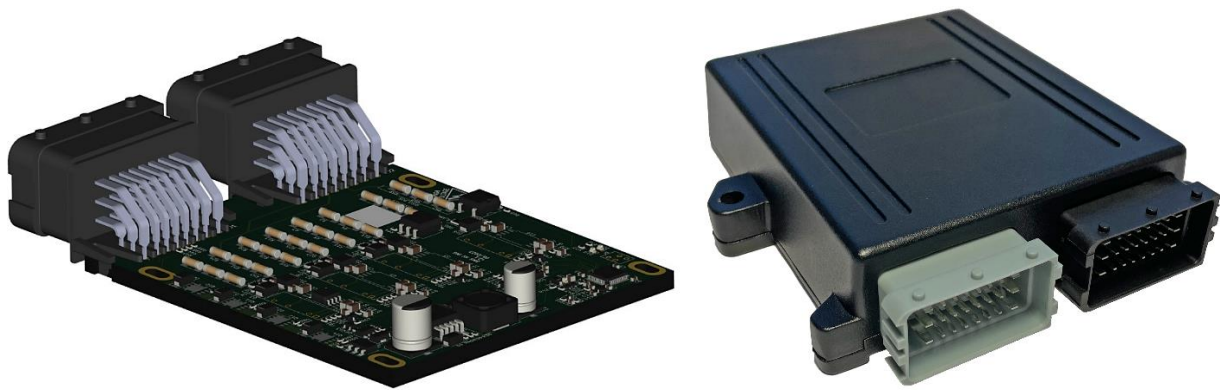


EN1000IMB

Insulation state monitor



Product information

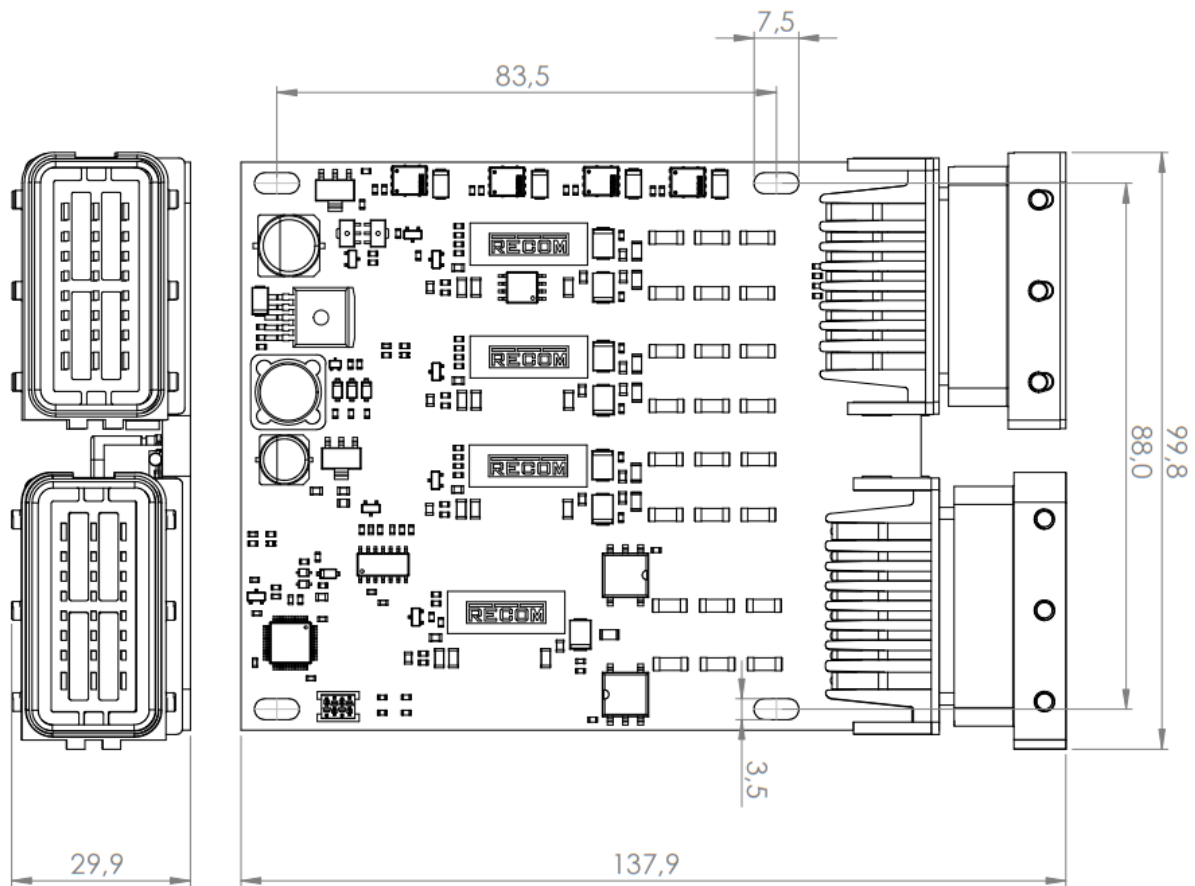
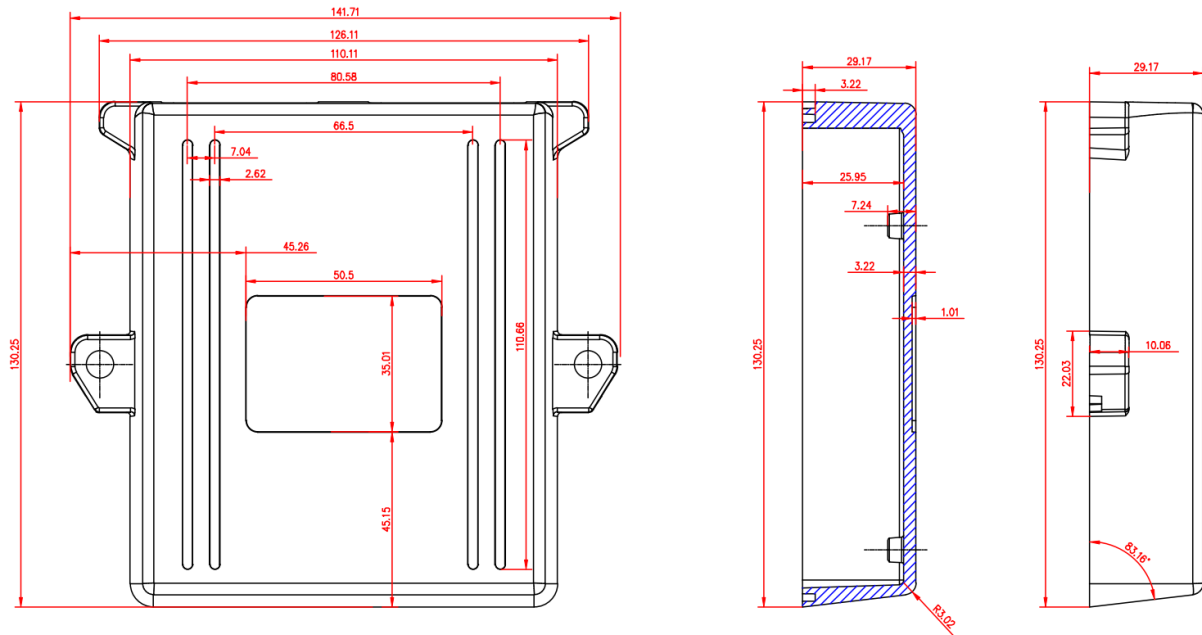
The insulation state monitor ensures the safe usage and operation of high-voltage electric installations. This device is capable of continuously monitoring the electrical insulation level. It measures the resistance to the positive pole and the case, as well as to the negative pole and the case. Information about the measured values and any exceedance of the preset execution thresholds is communicated through digital outputs, PWM signals, and the CAN Bus.

Functionalities:

- Galvanic insulation
- Compact design
- Insulation resistance measurement
- Three voltage measurements up to 1000V
- Wide range of operating voltage
- Wide range of operating temperature; -40°C ~ +75°C
- Start up after CAN
- Interlock loop support

Technical specification

Parameter		Value
Input voltage range	VDC	9 – 32
Number of measurements channels	-	3 (isolated)
Resistance measurement range	MΩ	0 – 10
Voltage measurement	V	Up to 1000
Resistance measurement accuracy	%	± 5
Voltage measurement accuracy	%	± 5
Number of CAN Buses	-	1
CAN Bus velocity	kbit / s	125, 250, 500, 1000
Number of digital outputs	-	2xLSDOT, 2xLSDOT PWM
Number of digital inputs	-	1xHSDIN
Security level	-	IP67
Cooling	-	Passive
Dimensions: height x width x length	mm	145,7 x 140 x 34



*the manufacturer reserves the right to make changes to the parameters and appearance of the product