

ENPP1000IOM

Input / Output Module



Product information:

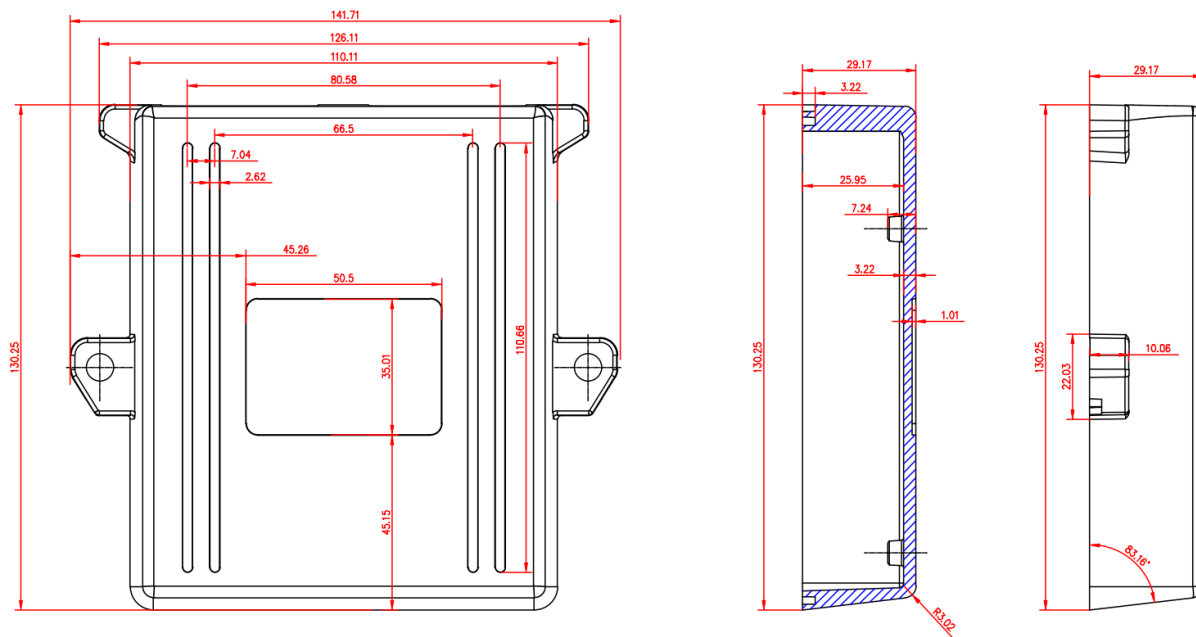
Input and output module is used for safe turning on and off devices that require high power consumption. Owing to this module, the vehicle driver can safely (thanks to galvanic isolation) manage devices, which are powered from different source than the driver itself. Used technology and solutions guarantee durability and trouble-free functioning, even in difficult conditions.

Functionality:

- Galvanic insulation
- High power transmission
- Compact size
- Wide working voltage range
- Multiple inputs and outputs
- Wide working temperature range of $-40^{\circ}\text{C} \sim +75^{\circ}\text{C}$

Technical specifications:

Parameter		Value
Model	-	ENPP1000IOM
Input voltage range	VDC	
Number of buses CAN	-	
Number of outputs PWM	-	
Number of inputs PWM	-	
Number of analog outputs (500W)	-	
Number of analog outputs (100W)	-	
Number of charging outputs 5V	-	
Level of protection	-	IP67
Ambient temperature	$^{\circ}\text{C}$	$-40 \sim +75$
Store temperature	$^{\circ}\text{C}$	$-40 \sim +70$
Humidity	%	≤ 95 , RH, no condensation
Cooling system	-	passive
Dimensions: height x width x length	mm	



* the manufacturer reserves the right to make changes to the parameters and appearance of the product

