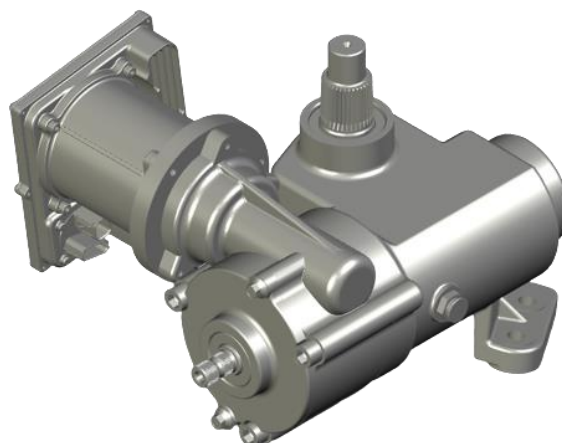


ENXXEPS1100

EPS steering gear 1100Nm with electric power assist



Product information:

Gear cannot be used in the vehicles, which carrying capacity exceeds design range. The recommended maximum rocker swing angle is 40°.

Functionality:

- Rated power 850 W
- Maximum engine torque is 7 Nm
- Security level IP67
- Rated voltage 24 V
- Rated current od 0 do 80 A
- System equipped with a fuse 80A

Technical specification:

Parameter		Value
Rated voltage	V	24 ± 1
Rated current	A	0 – 80
Rated power	W	850
Gearing	-	20,42
Maximum output torque of the driving system	Nm	1100 ± 100
Maximum number of output shaft rotations	-	5,17
Input torque	Nm	5-8
Maximum engine torque	Nm	7,0
Operating temperature range	°C	-40 ~ +85
Maximum rocker swing angle	°	45,5
Screw type	Left-handed	
Security level	IP67	

* the manufacturer reserves the right to make changes to the parameters and appearance of the product