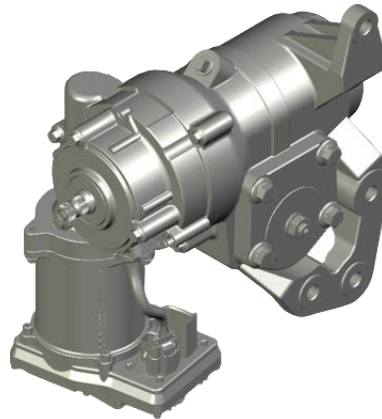


ENXXEPS1500

EPS steering gear – 1500Nm with electric power assist



Product information:

The gear cannot be used in the vehicles, which carrying capacity exceeds design range.

Functionality:

- Rated power 850W
- Rated speed 1000 rpm
- Rated torque 8 Nm

Technical specification:

Parameter		Value
Steering gear type		ERCB
Steering drive mode		manned
Direction of rotation of the screw		Left
Output direction of the sector shaft		CCW (clockwise)
Module		6,50
Variable gear ratio		19,5 ~ 22,5
Maximum angle of the sector shaft		43,5
Full circle		5,15 (± 0,15)
Maximum output torque of the steering system		1500 Nm
Torsion bar stiffness		2,56 Nm/ degree
Reduction mechanism worm gear and worm	Worm and gear ratio	20,5 ; 1
	Worm head number	2
	Worm tooth number	41
	Modulus of the worm	2,5
	Worm direction of rotation	right
Sensor	Type	Non-contact
	Voltage	5V ± 0,5V
	Current	< 60 mA
	Torque accuracy	< 0,1 °
	Angle accuracy	± 2 °
	Output angle range	± 1224

Motor	Type	PMSM
	Rated voltage	24 V
	Rated power	850 W
	Rated torque	8 Nm
	Rated speed	1000 rpm
Controller	Voltage	24V
	Max bus current	60A
	EPS function	Power according to the speed, straighten the steering wheel automatically
	Working temperature	-40°C ~ +125°C
	Cooling mode	Natural cooling
Working temperature	-30°C ~ +80°C system works stably and stores the temperature range	
	-40°C ~ -30°C and +80 ~ +100°C System function decline, provide partial help	
	+100°C ~ +115°C System communication is normal, no power	
	≤ -45°C and ≥ +125°C Part damaged and cannot be restored to function	

* the manufacturer reserves the right to make changes to the parameters and appearance of the product