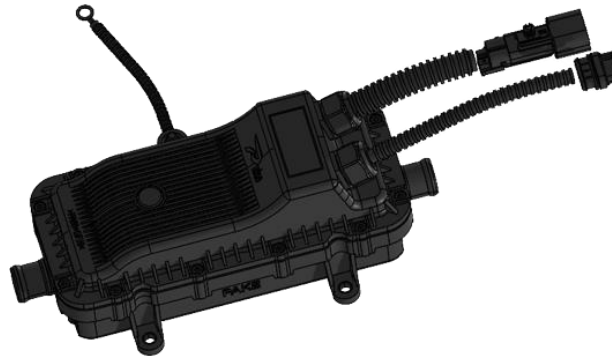


# ENPTCL581

PTC liquid heater



## Product information:

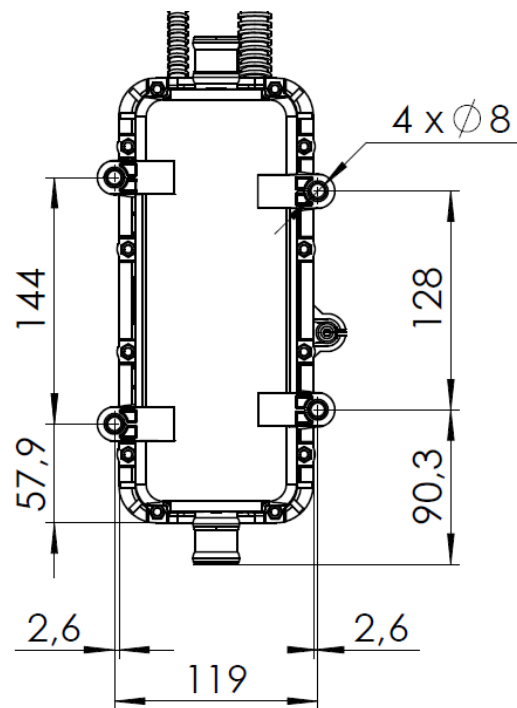
PTC liquid heater is designed to be used in passenger vehicles, vans and trucks. It serves the purpose of heating the liquid that flows in the cooling system of the vehicle.

## Functionality:

- Voltage range 450 – 750 VDC
- Rated power 6 kW
- Security level IP67
- Communication CAN 2.0

## Technical specification:

Parameter		Value
Rated power	kW	6 ± 10%
Rated voltage	VDC	450 - 750
Flow rate	L/min	10
Current	A	< 20 / 25
Start time	s	< 10
Flow resistance	Kpa	< 10
Working environment temperature	°C	-40 ~ +80
Control voltage	VDC	24 /12
Insulation resistance	MΩ	100
Security level		IP67
Communication		CAN 2.0



Picture 1 Mounting hole measurements– PTC liquid heater

\* the manufacturer reserves the right to make changes to the parameters and appearance of the product