

ENDN67VCU-41B

Vehicle Control Unit– VCU



Product information:

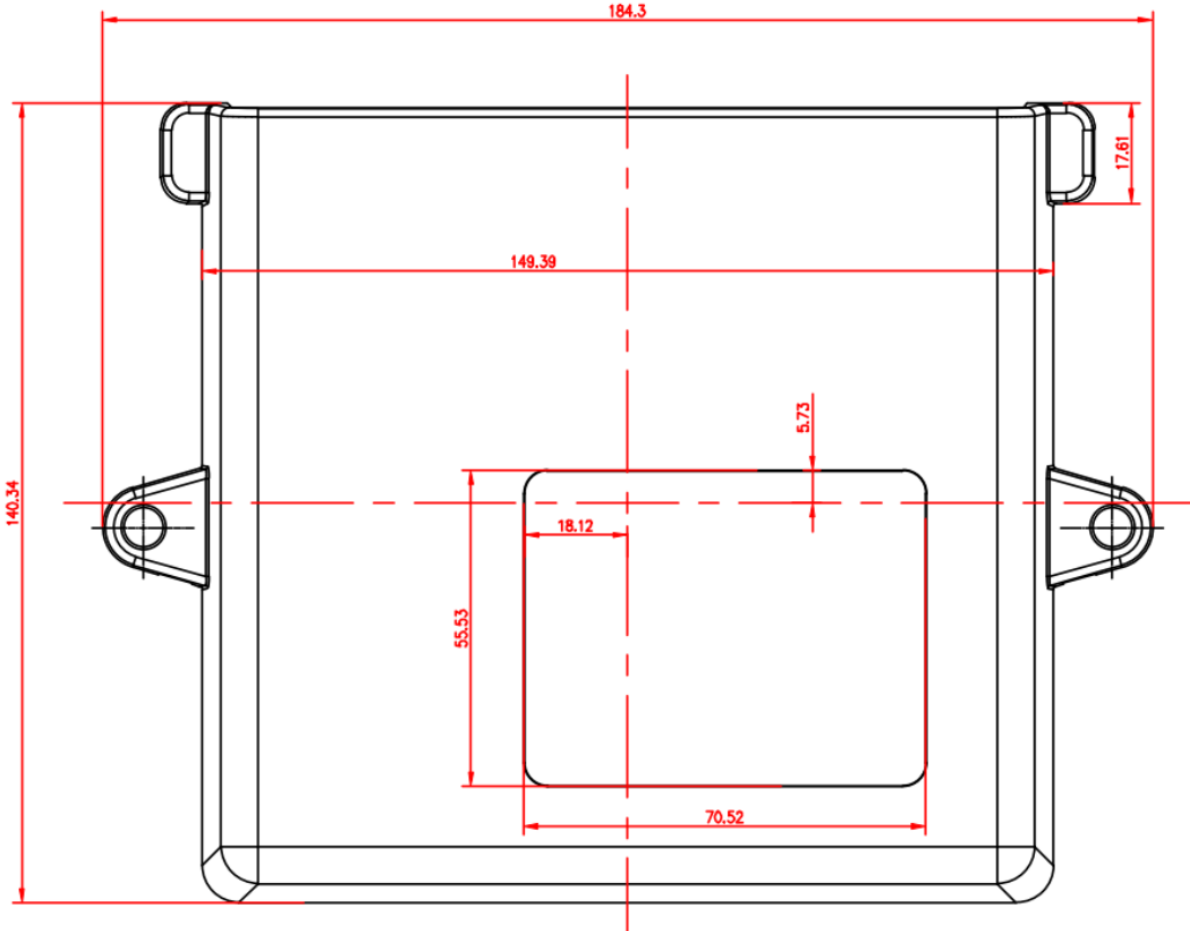
A vehicle controller is successfully used in electric vehicles. The controller is responsible for passenger safety and comfort. Advanced control algorithms and a parametric vehicle model allow for configuring various aspects, including vehicle dynamics, speed limits, and regenerative braking.

Functionality:

- Galvanic insulation
- Parametric model of the vehicle
- Compact size
- Wide operating voltage range
- Three CAN buses support
- Multiple inputs and outputs
- Wide working temperature range of $-40^{\circ}\text{C} \sim +75^{\circ}\text{C}$

Technical specification:

Parameter		Value
Model	-	ENDN67VCU-41B
Input voltage range	VDC	18-32 VDC / 9-16 VDC
Number of buses CAN	-	3
Number of outputs PWM	-	2
Number of inputs PWM	-	2
Number of analog outputs (40W)	-	12
Number of analog outputs (18W)	-	16
Number of analog outputs	-	7
Number of analog outputs 5V	-	6
Number of high potential measurement	-	12
Number of low potential measurement	-	12
Level of protection	-	IP67
Ambient temperature	$^{\circ}\text{C}$	$-40 \sim +75$
Store temperature	$^{\circ}\text{C}$	$-40 \sim +70$
Humidity	%	≤ 95 , RH, no condensation
Cooling system	-	passive
Dimensions: height x width x length	mm	110 x 385 x 395



* the manufacturer reserves the right to make changes to the parameters and appearance of the product